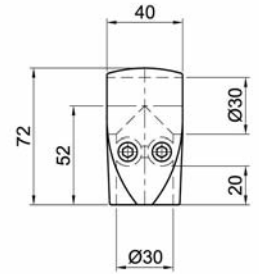
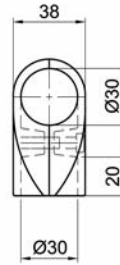
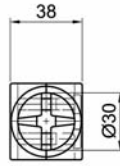


Ø
30
mm



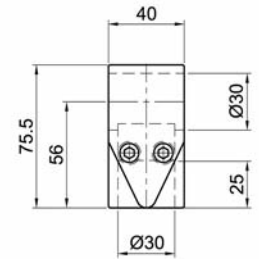
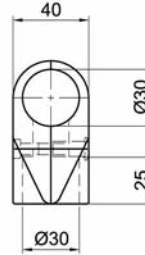
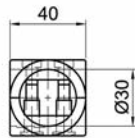
Bestell-Nr. **RV-1690***
Order no.

T-Verbinder, 2-schalig
T-Connector, 2-shell



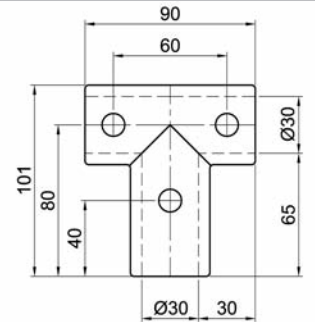
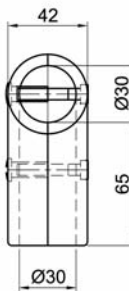
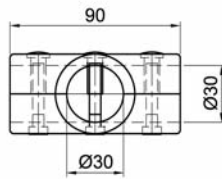
Bestell-Nr. **RV-2310***
Order no.

T-Verbinder, 2-schalig
T-Connector, 2-shell



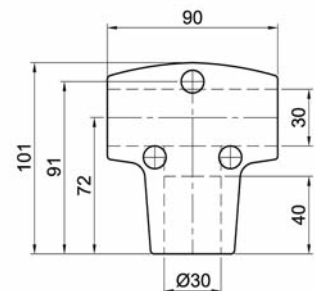
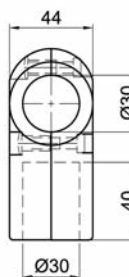
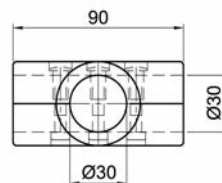
Bestell-Nr. **RV-1889***
Order no.

T-Verbinder, 2-schalig
T-Connector, 2-shell



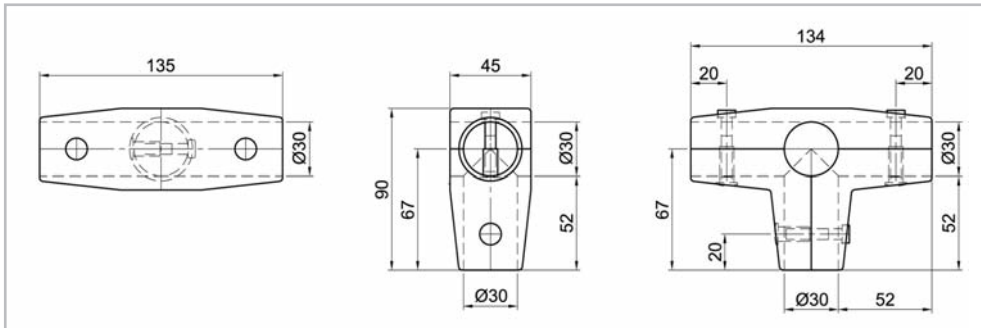
Bestell-Nr. **RV-2320***
Order no.

T-Verbinder, 2-schalig
T-Connector, 2-shell



T-Verbinder, 1-schalig
T-Connector, 1-shell

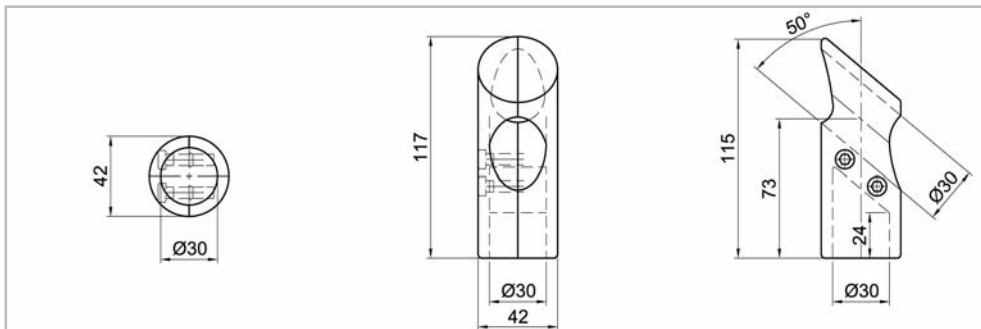
Bestell-Nr. **RV-2225***
Order no.



Ø
30
mm

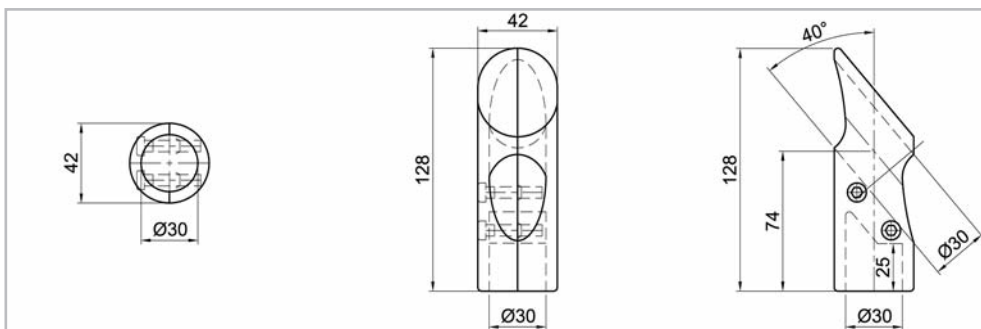
T-Verbinder 50°/130°, 2-schalig
T-Connector 50°/130°, 2-shell

Bestell-Nr. **RV-2218***
Order no.



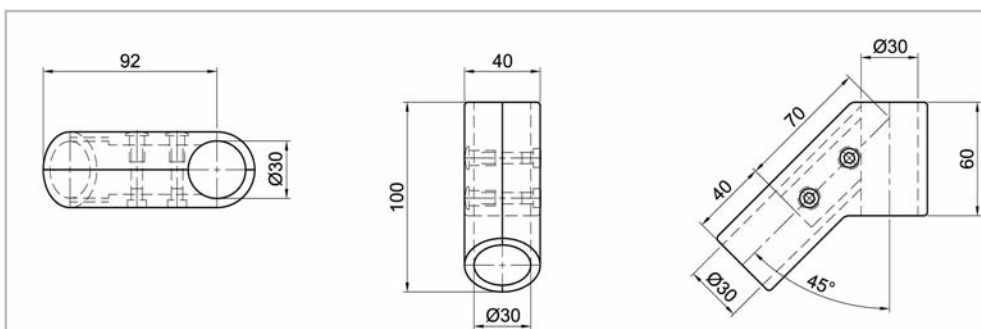
T-Verbinder 40°/140°, 2-schalig
T-Connector 40°/140°, 2-shell

Bestell-Nr. **RV-1866***
Order no.



T-Verbinder 45°/135°, 2-schalig
T-Connector 45°/135°, 2-shell

Bestell-Nr. **RV-1891***
Order no.



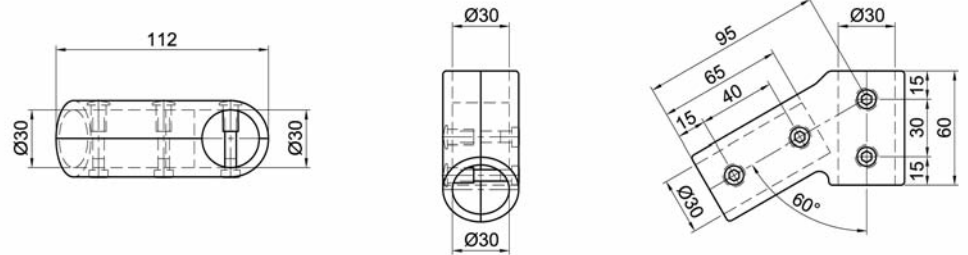
* mit Oberflächen-Bestell-Code ergänzen (siehe Seite 282–283)
to add surface-order-code (see page 282–283)

∅
30
mm



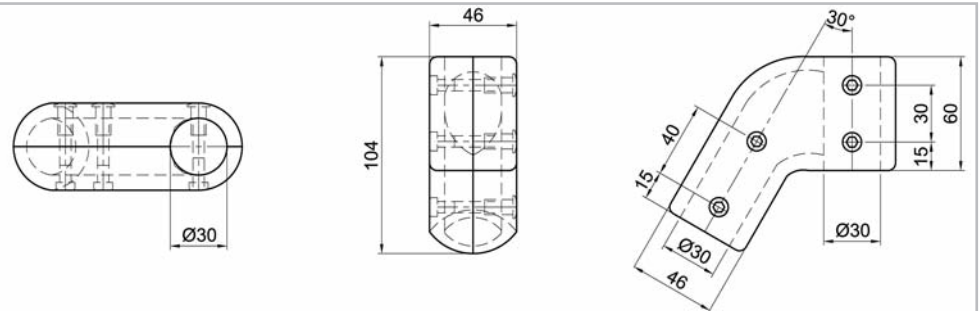
Bestell-Nr. **RV-1890 a***
Order no.

T-Verbinder 60°/120°, 1-schalig
T-Connector 60°/120°, 1-shell



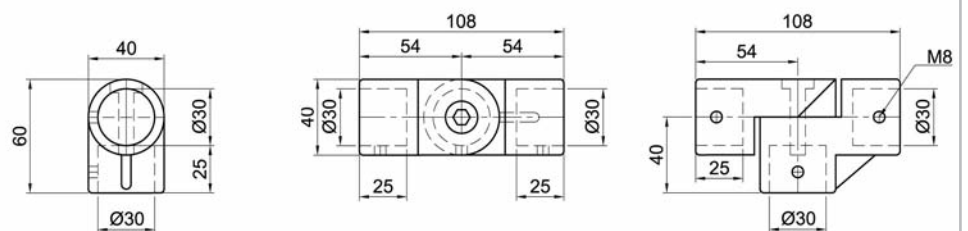
Bestell-Nr. **RV-1890***
Order no.

T-Verbinder 30°/150°, 2-schalig
T-Connector 30°/150°, 2-shell



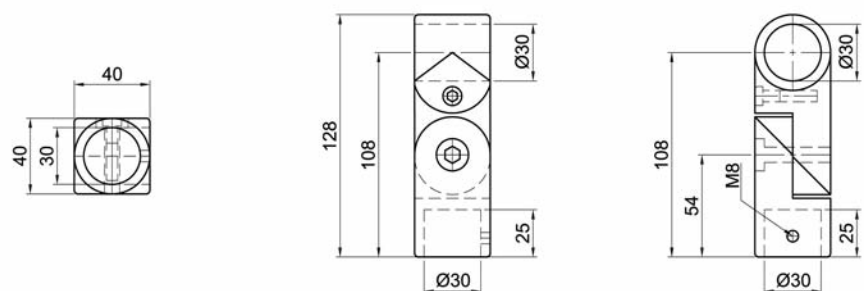
Bestell-Nr. **RV-1924***
Order no.

T-Gelenkverbinder, 1-schalig
T-joint connector, 1-shell



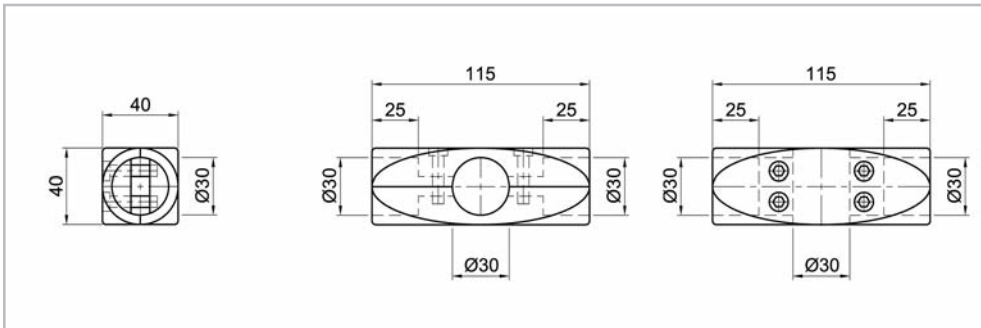
Bestell-Nr. **RV-1686***
Order no.

T-Gelenkverbinder, 2-schalig
T-joint connector, 2-shell



Kreuz-Verbinder, 2-schalig Cross-Connector, 2-shell

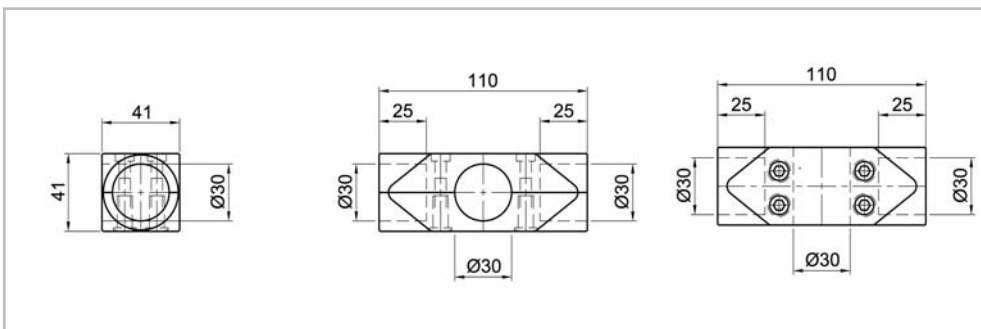
Bestell-Nr. **RV-1688 a***
Order no.



Ø
30
mm

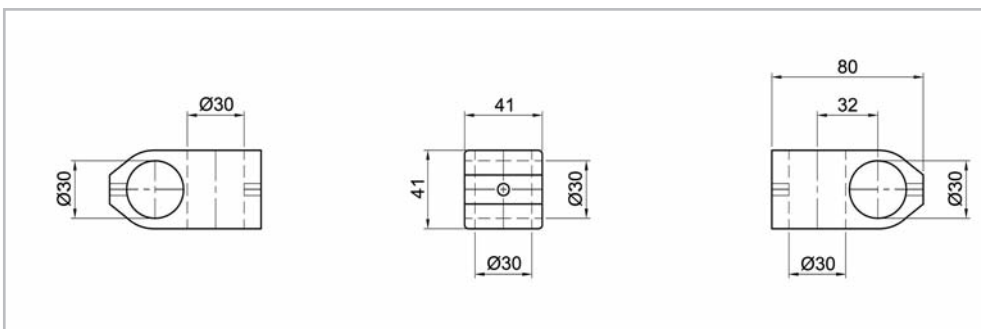
Kreuz-Verbinder, 2-schalig Cross-Connector, 2-shell

Bestell-Nr. **RV-2330***
Order no.



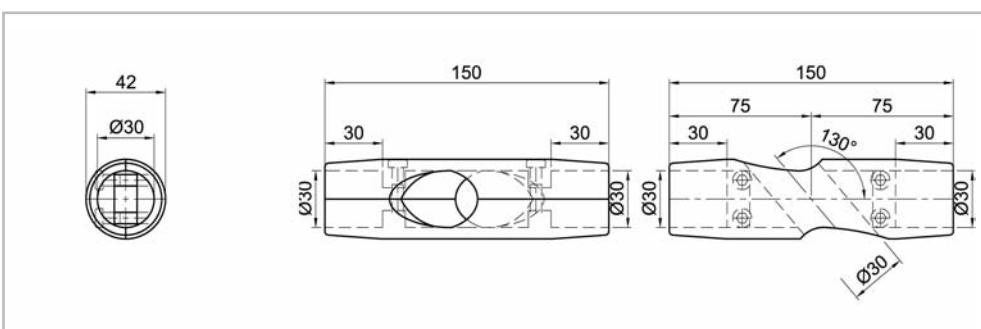
Kreuz-Verbinder, 1-schalig Cross-Connector, 1-shell

Bestell-Nr. **RV-2086 a***
Order no.



Kreuz-Verbinder 50°/130°, 2-schalig Cross-Connector 50°/130°, 2-shell

Bestell-Nr. **RV-2217***
Order no.



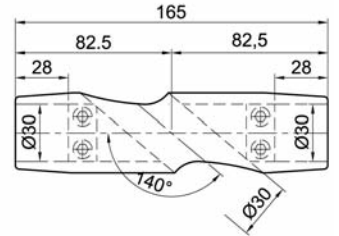
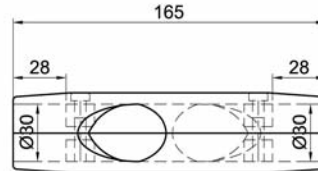
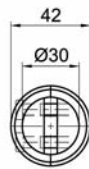
* mit Oberflächen-Bestell-Code ergänzen (siehe Seite 282–283)
to add surface-order-code (see page 282–283)

Ø
30
mm



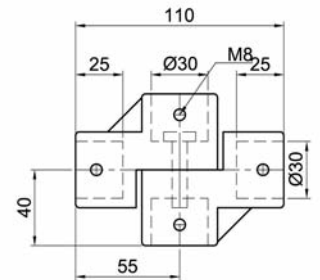
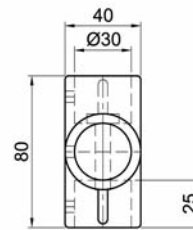
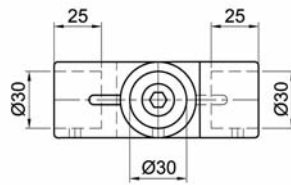
Bestell-Nr. **RV-1712***
Order no.

Kreuz-Verbinder 40°/140°, 2-schalig
Cross-Connector 40°/140°, 2-shell



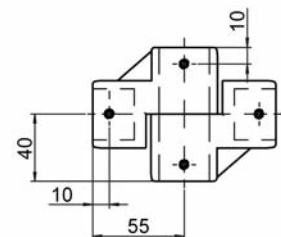
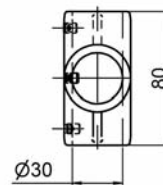
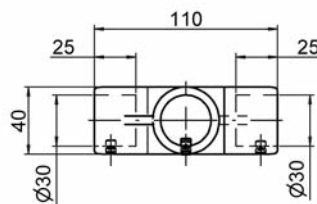
Bestell-Nr. **RV-1924 b***
Order no.

Kreuz-Gelenkverbinder, 1-schalig
Cross-joint connector, 1-shell



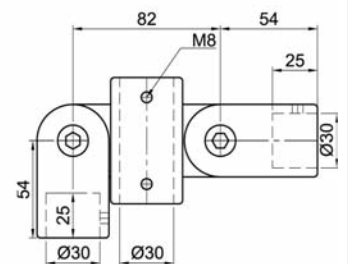
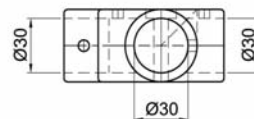
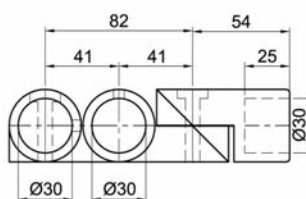
Bestell-Nr. **1924 f***
Order no.

Kreuz-Gelenkverbinder, 1-schalig, durchgehend
Cross-joint connector, 1-shell, persistant



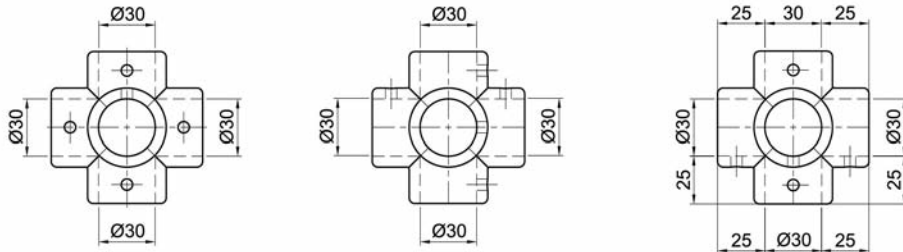
Bestell-Nr. **RV-1687***
Order no.

Kreuz-Gelenkverbinder, 2-schalig
Cross-joint connector, 2-shell



Kreuz-Verbinder 6-fach, 1-schalig Cross-Connector 6 end, 1-shell

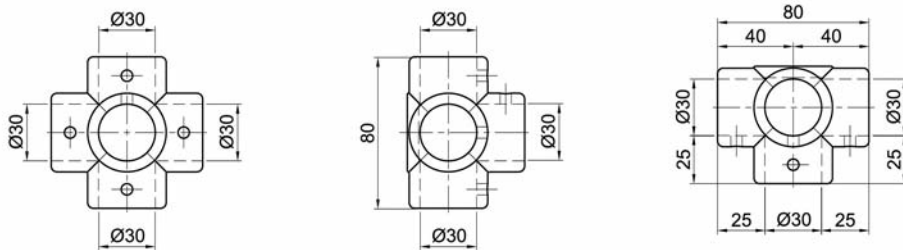
Bestell-Nr. **RV-1716 b**
Order no.



Ø
30
mm

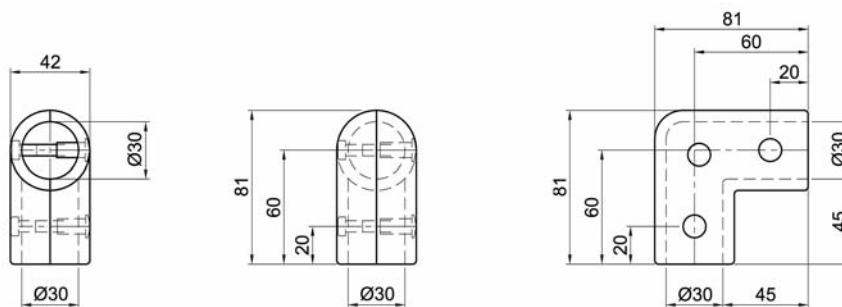
Kreuz-Verbinder 5-fach, 1-schalig Cross-Connector 5 end, 1-shell

Bestell-Nr. **RV-1716 a***
Order no.



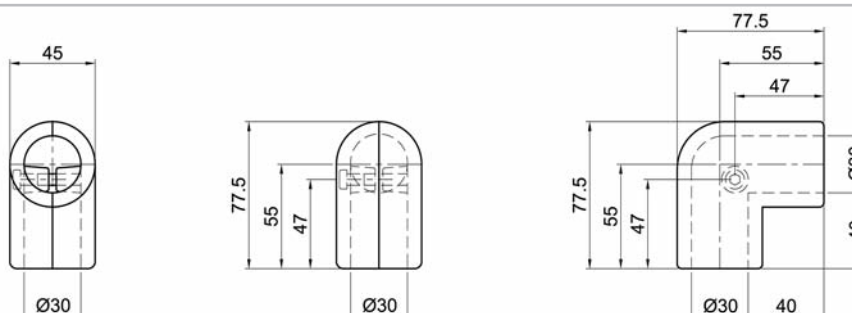
Winkel-Verbinder 90°, 2-schalig Angle-Connector 90°, 2-shell

Bestell-Nr. **RV-1888***
Order no.



Winkel-Verbinder 90°, 2-schalig Angle-Connector 90°, 2-shell

Bestell-Nr. **RV-1711***
Order no.



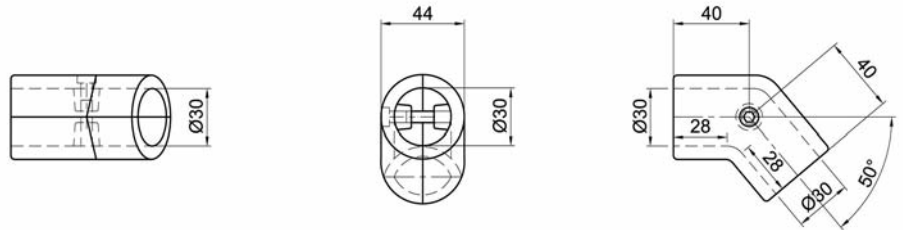
* mit Oberflächen-Bestell-Code ergänzen (siehe Seite 282–283)
to add surface-order-code (see page 282–283)

∅
30
mm



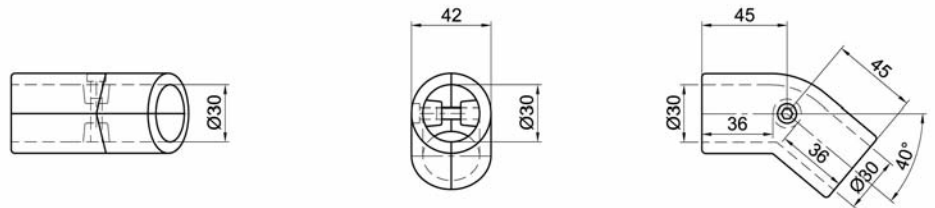
Bestell-Nr. **RV-1865***
Order no.

Winkel-Verbinder 50°/130°, 2-schalig
Angle-Connector 50°/130°, 2-shell



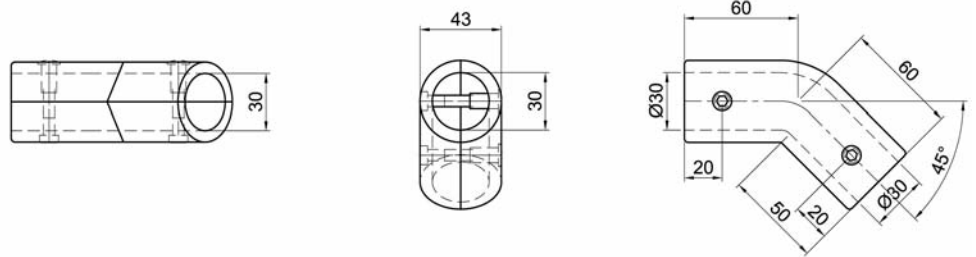
Bestell-Nr. **RV-1867***
Order no.

Winkel-Verbinder 40°/140°, 2-schalig
Angle-Connector 40°/140°, 2-shell



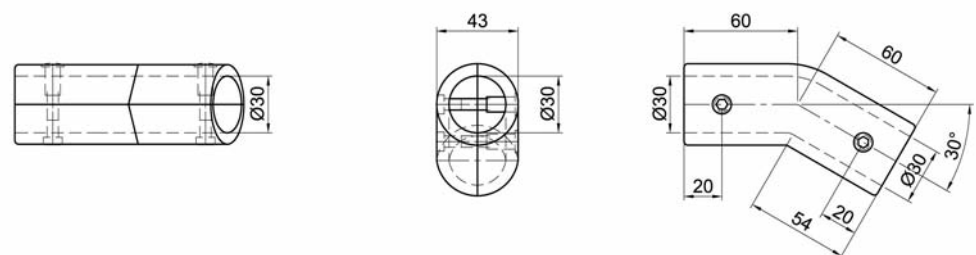
Bestell-Nr. **RV-2370***
Order no.

Winkel-Verbinder 45°/135°, 2-schalig
Angle-Connector 45°/135°, 2-shell



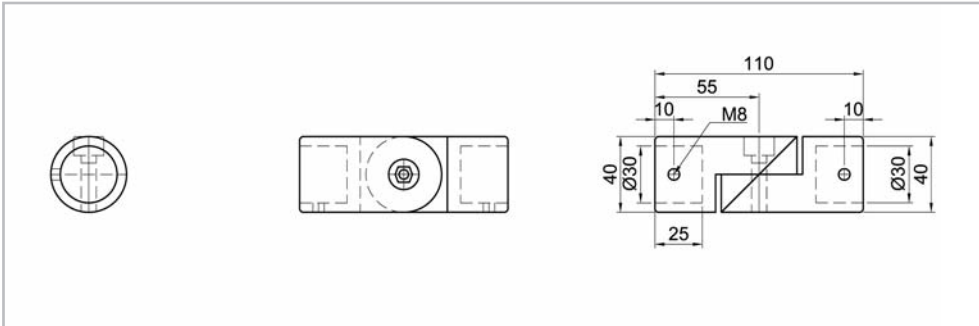
Bestell-Nr. **RV-2380***
Order no.

Winkel-Verbinder 30°/150°, 2-schalig
Angle-Connector 30°/150°, 2-shell



Winkel-Gelenkverbinder, 1-schalig Angle-joint connector, 1-shell

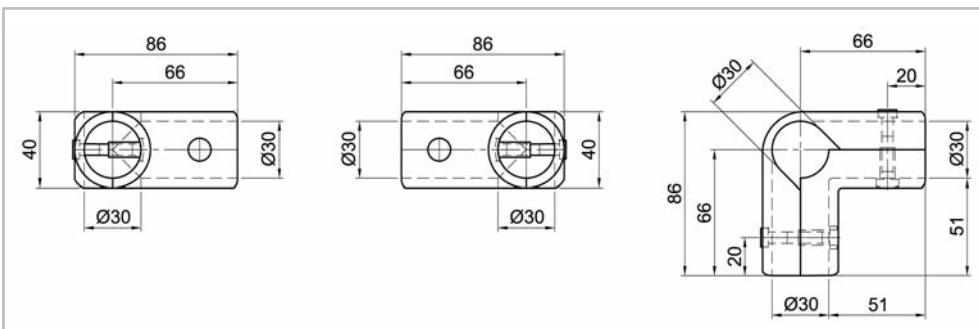
Bestell-Nr. **RV-1924 a***
Order no.



Ø
30
mm

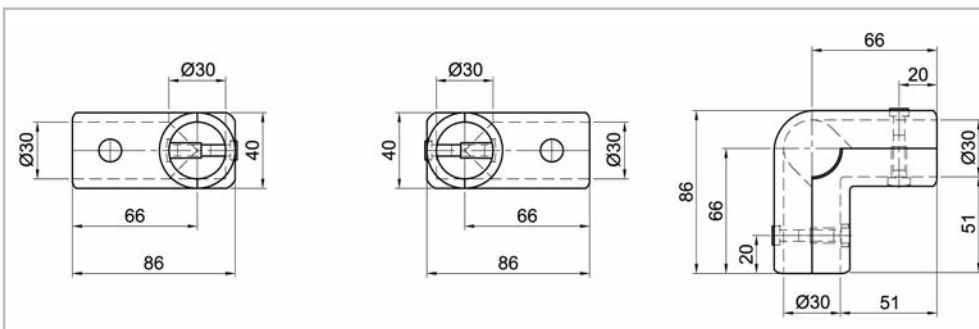
Eck-Verbinder 90°, offen, 2-schalig Corner Connector 90°, open, 2-shell

Bestell-Nr. **RV-1685 a***
Order no.



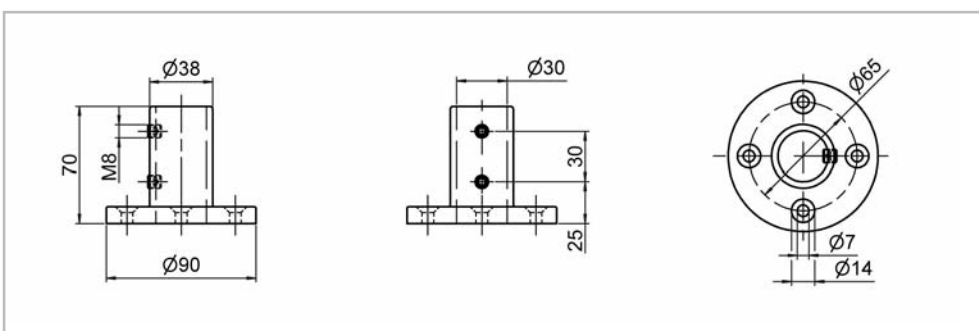
Eck-Verbinder 90°, Kopfstück, 2-schalig Corner Connector 90°, headpiece, 2-shell

Bestell-Nr. **RV-1685 c***
Order no.



Bodenlager, 1-schalig Ground bearing, 1-shell

Bestell-Nr. **RV-1710 c***
Order no.



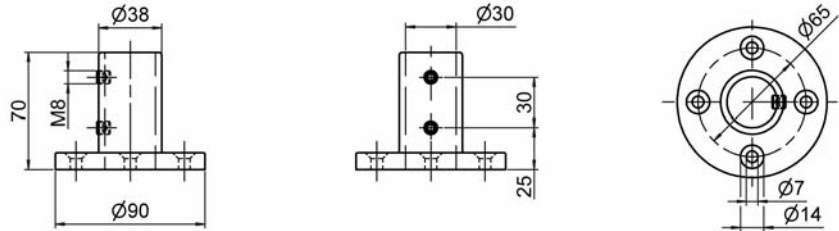
* mit Oberflächen-Bestell-Code ergänzen (siehe Seite 282–283)
to add surface-order-code (see page 282–283)

∅
30
mm



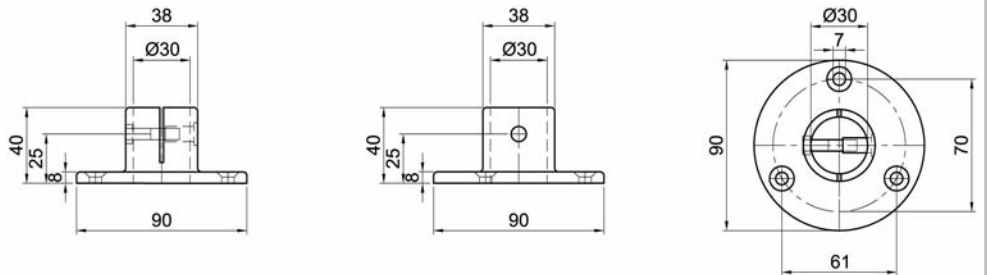
Bestell-Nr. **RV-1710***
Order no.

Bodenlager, 1-schalig Ground bearing, 1-shell



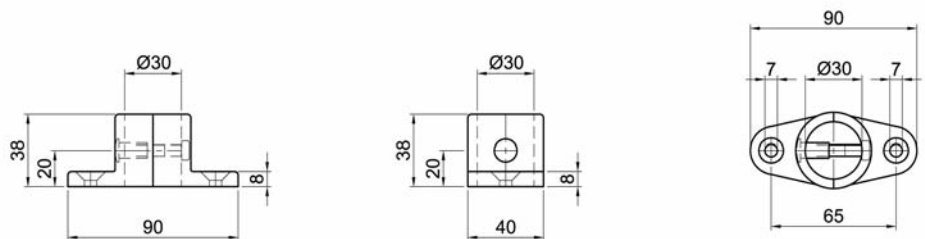
Bestell-Nr. **RV-1709 a***
Order no.

Bodenlager, 1-schalig Ground bearing, 1-shell



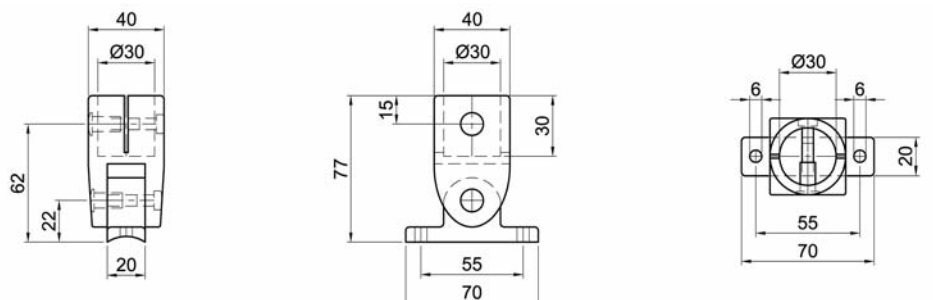
Bestell-Nr. **RV-1691***
Order no.

Bodenlager, 2-schalig Ground bearing, 2-shell



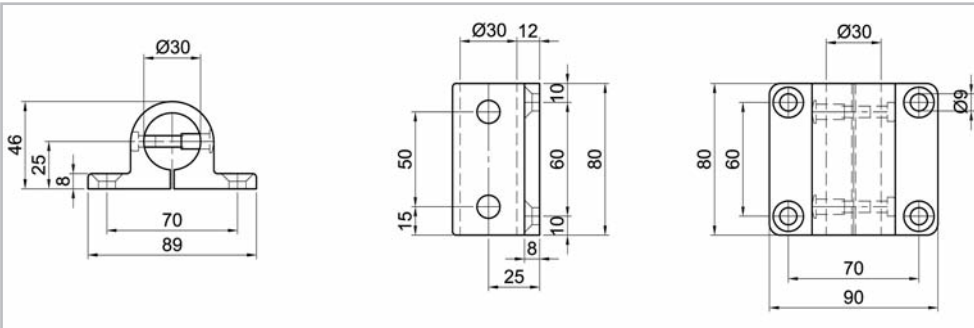
Bestell-Nr. **RV-1715***
Order no.

Bodenlager variabel, 1-schalig Ground bearing variable, 1-shell



Wandlager, 1-schalig
Wall bearing, 1-shell

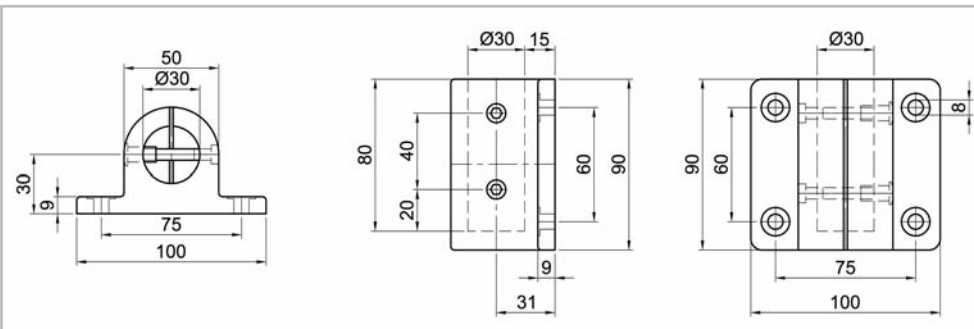
Bestell-Nr. **RV-1864***
Order no.



Ø
30
mm

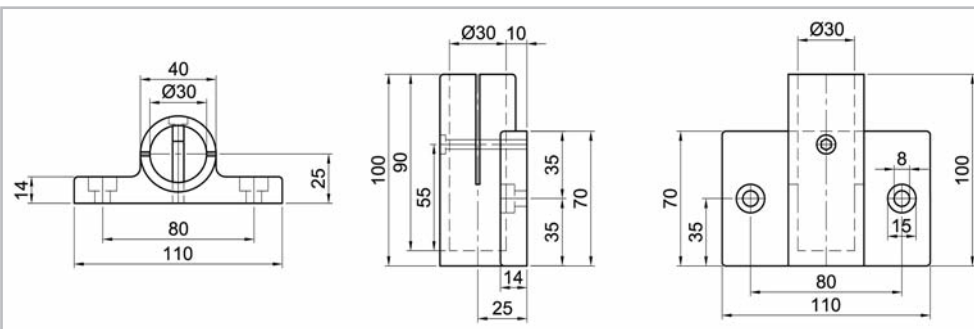
Wandlager, 1-schalig
Wall bearing, 1-shell

Bestell-Nr. **RV-2360***
Order no.



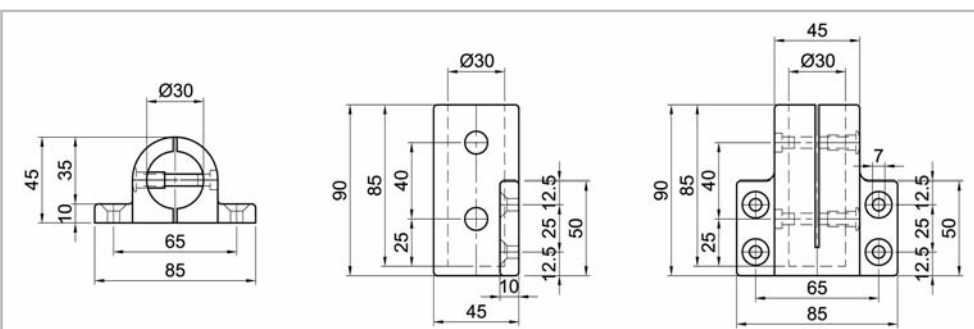
Wandlager, 1-schalig
Wall bearing, 1 shell

Bestell-Nr. **RV-1714***
Order no.



Wandlager, 1-schalig
Wall bearing, 1-shell

Bestell-Nr. **RV-2365***
Order no.



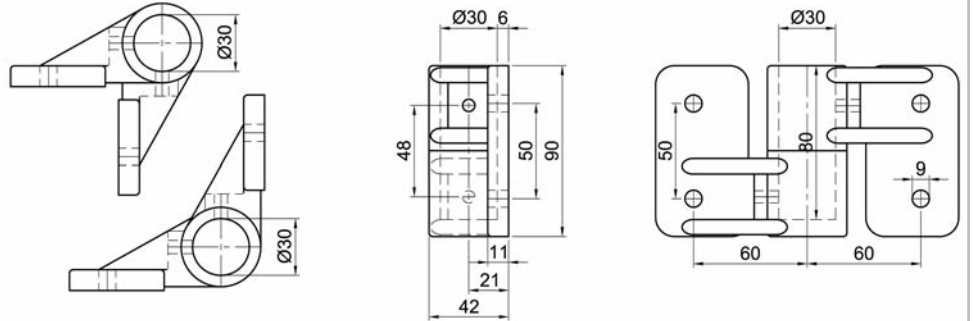
* mit Oberflächen-Bestell-Code ergänzen (siehe Seite 282–283)
to add surface-order-code (see page 282–283)

∅
30
mm



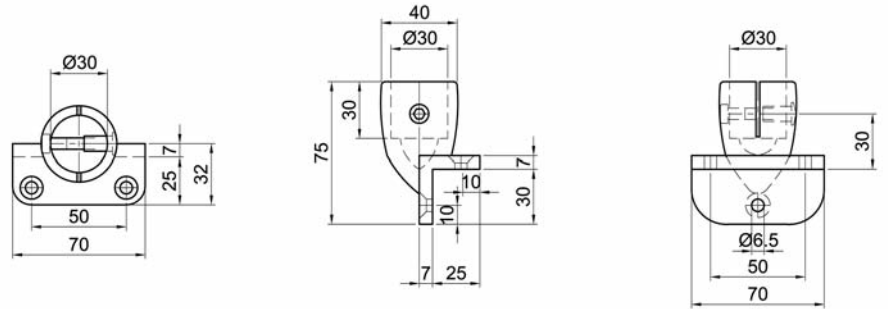
Bestell-Nr. **RV-1713***
Order no.

Wandlager-Eckbefestigung, 1-schalig Wall bearing-corner fastening, 1-shell



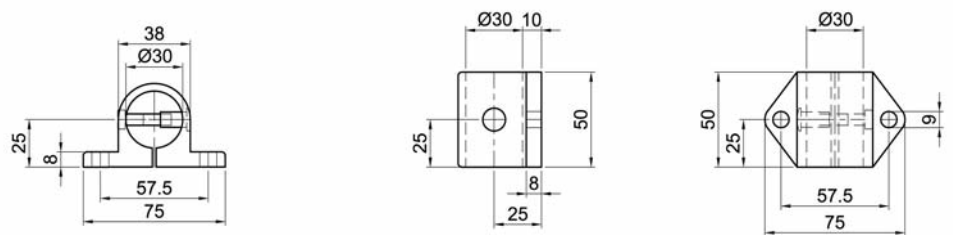
Bestell-Nr. **RV-1679***
Order no.

Boden-Wandlager, 1-schalig Ground- wall bearing, 1-shell



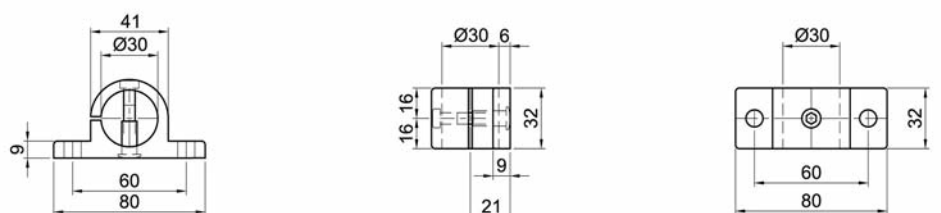
Bestell-Nr. **RV-1868***
Order no.

Wandlager, 1-schalig Wall bearing, 1-shell



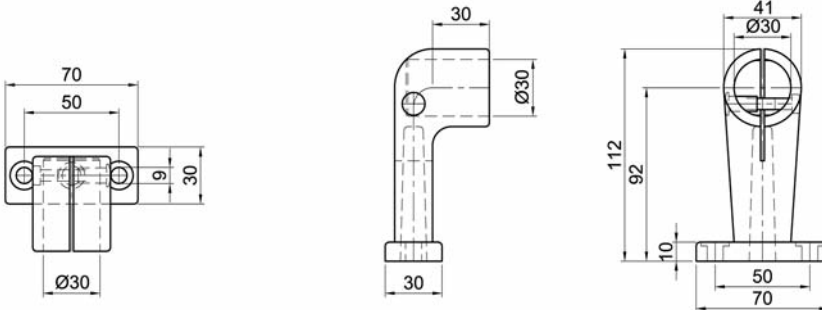
Bestell-Nr. **RV-2350***
Order no.

Wandlager, 1-schalig Wall bearing, 1-shell



Endstütze, 1-schalig End prop, 1-shell

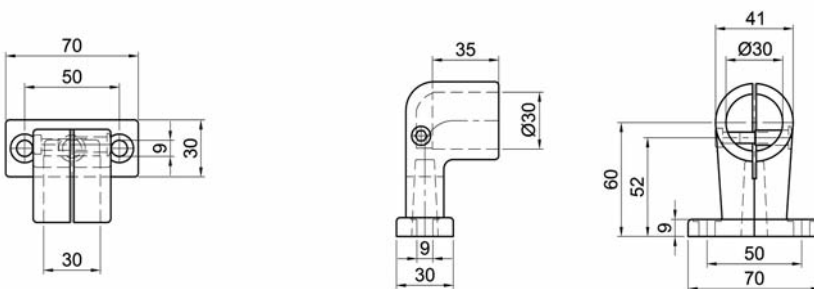
Bestell-Nr. **RV-2400***
Order no.



Ø
30
mm

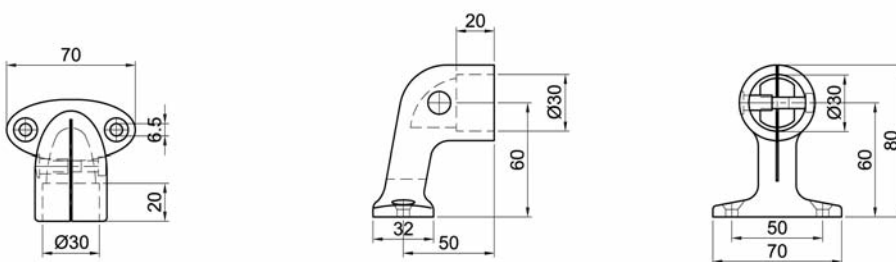
Endstütze, 1-schalig End prop, 1-shell

Bestell-Nr. **RV-2390***
Order no.



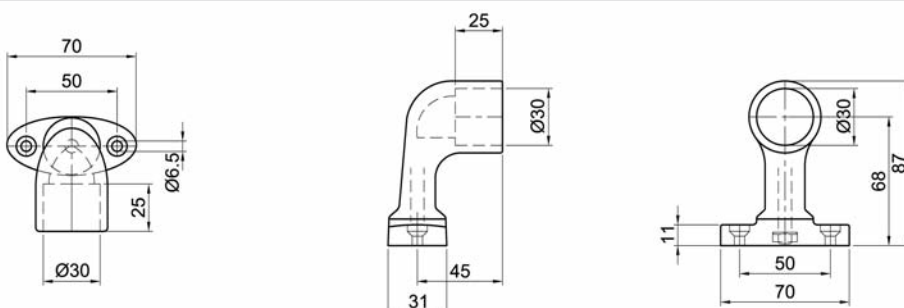
Endstütze, 1-schalig End prop, 1-shell

Bestell-Nr. **RV-1693***
Order no.



Endstütze schwenkbar, 1-schalig End prop turnable, 1-shell

Bestell-Nr. **RV-1694***
Order no.



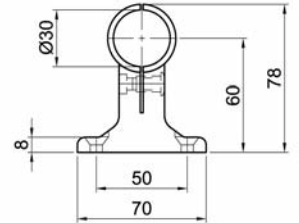
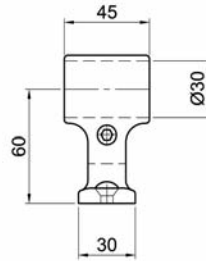
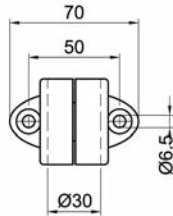
* mit Oberflächen-Bestell-Code ergänzen (siehe Seite 282–283)
to add surface-order-code (see page 282–283)

∅
30
mm



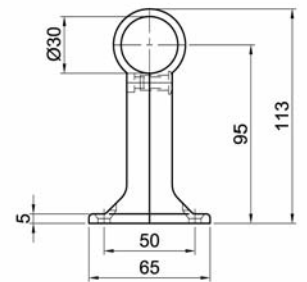
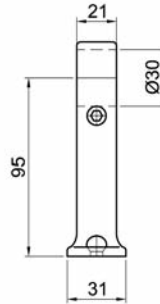
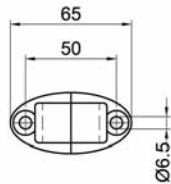
Bestell-Nr. **RV-1695***
Order no.

Mittelstütze, 1-schalig Centre prop, 1-shell



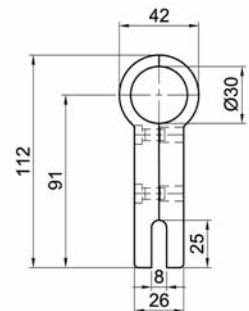
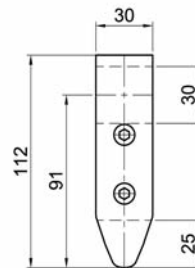
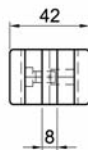
Bestell-Nr. **RV-1684***
Order no.

Mittelstütze, 1-schalig Centre prop, 1-shell



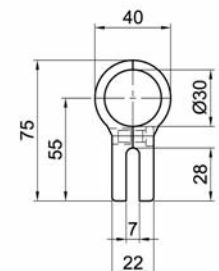
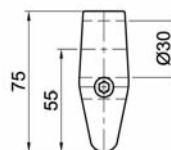
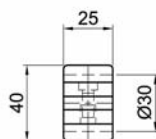
Bestell-Nr. **RV-1681 a***
Order no.

Glashalter, 2-schalig Glass holder, 2-shell



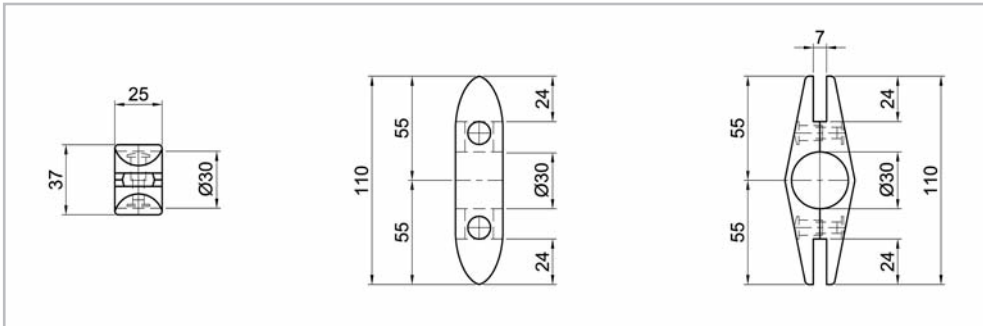
Bestell-Nr. **RV-1692***
Order no.

Glashalter, 2-schalig Glass holder, 2-shell



Doppel-Glashalter, 2-schalig Double-glass holder, 2-shell

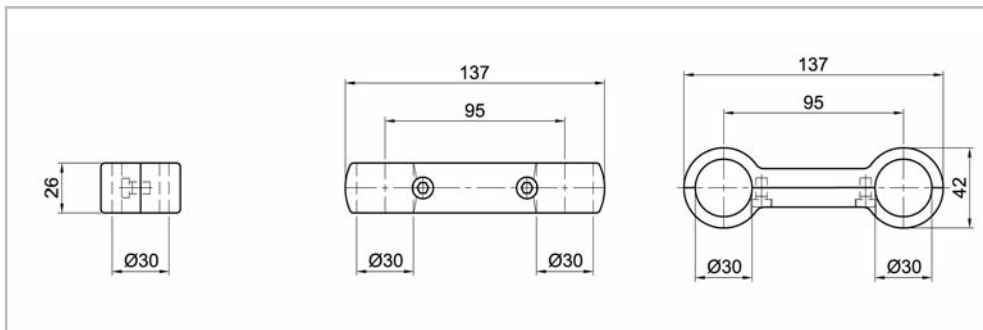
Bestell-Nr. **RV-1696***
Order no.



Ø
30
mm

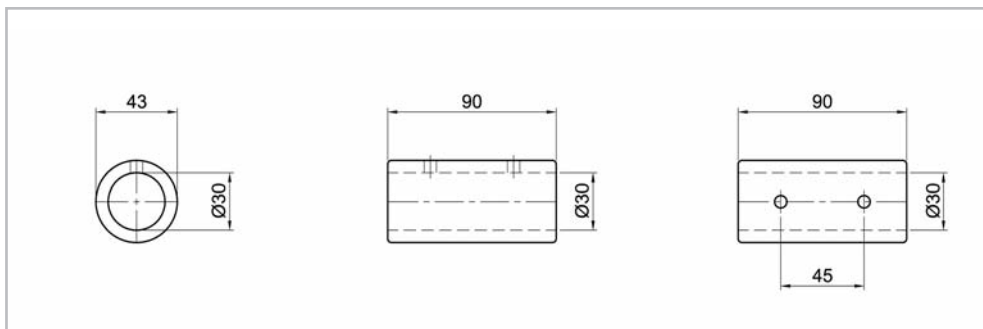
Doppelschelle, 2-schalig Double clamp, 2-shell

Bestell-Nr. **RV-1681 c***
Order no.



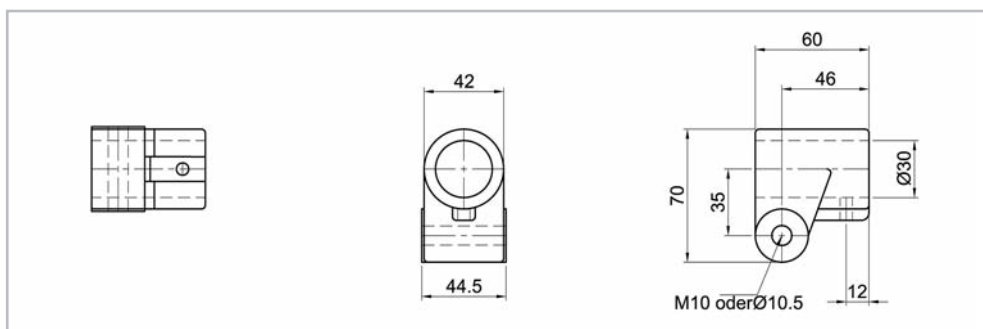
Rohr-Verbindungsstück, 1-schalig Tube connector piece, 1-shell

Bestell-Nr. **RV-1680***
Order no.



Anschlussstück, offen, 1-schalig Connection piece, offen, 1-shell

Bestell-Nr. **RV-2410***
Order no.



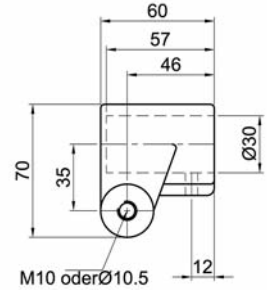
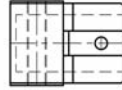
* mit Oberflächen-Bestell-Code ergänzen (siehe Seite 282–283)
to add surface-order-code (see page 282–283)

∅
30
mm



Bestell-Nr. **RV-2411***
Order no.

Anschlussstück geschlossen, 1-schalig Connection piece, closed, 1-shell



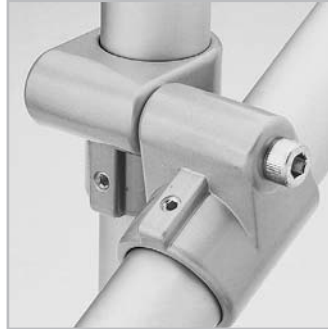
Bestell-Nr. **RV-2411 a + RV-2411***
Order no.



Bestell-Nr. **RV-2410 + RV-2411***
Order no.



Bestell-Nr. **RV-2410 a + RV-2410***
Order no.



Bestell-Nr. **RV-2230***
Order no.

Pendellager 30 x 30, wahlweise 90° oder 180° Swivel bearing 30 x 30 option of 90° or 180°

